

DESCRIPTION

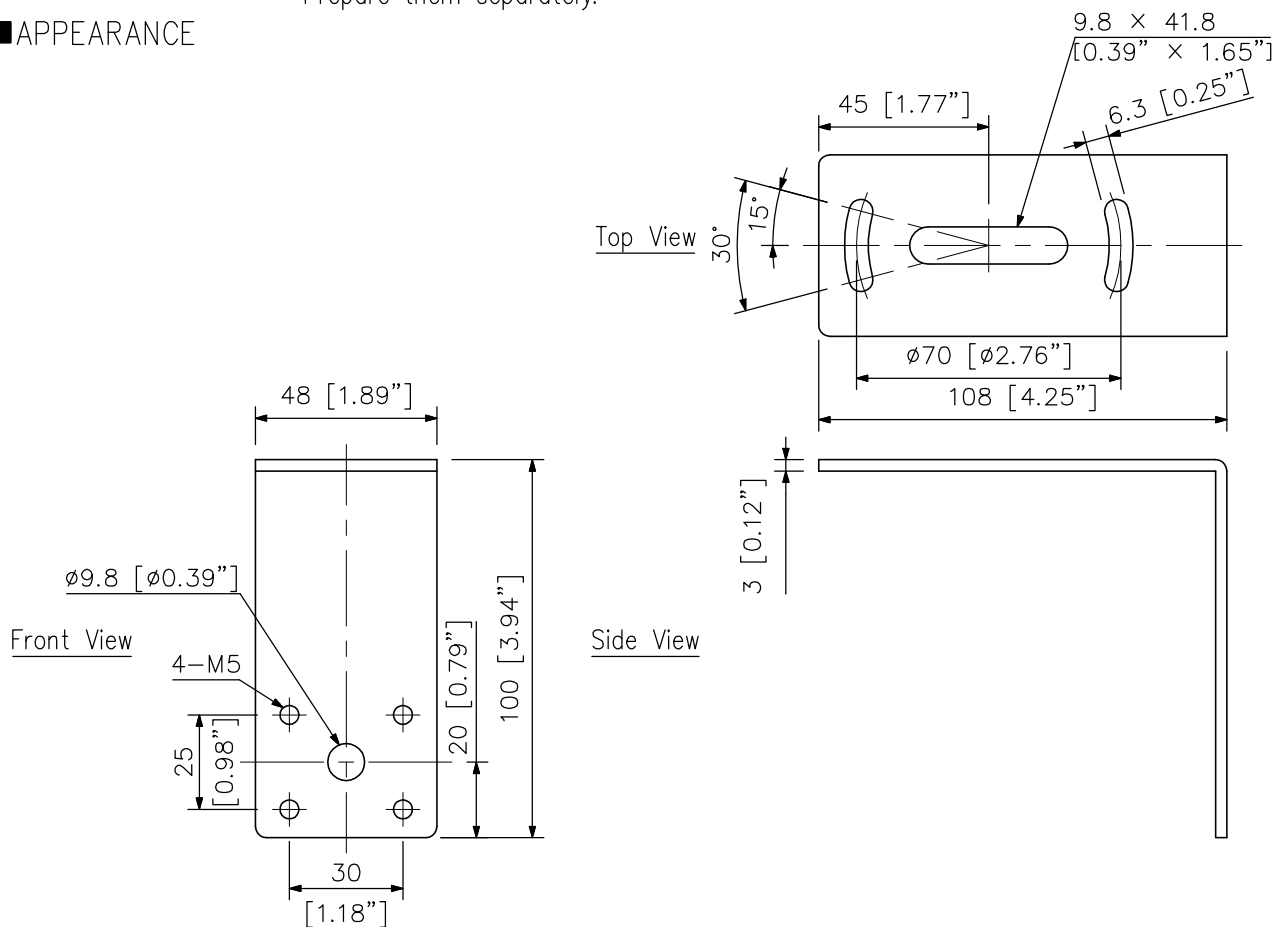
The HY-CM10W Ceiling Mounting Bracket is used to mount F-1000 Series or F-1300 Series speakers to a ceiling in a horizontal configuration.

SPECIFICATIONS

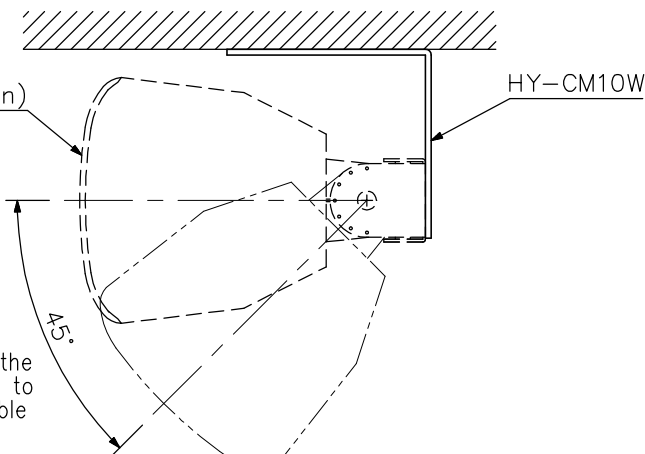
| | |
|------------|---|
| Finish | Steel plate, white, paint |
| Dimensions | 48 (W) × 100 (H) × 108 (D) mm (1.89" × 3.94" × 4.25") |
| Weight | 210 g (0.46 lb) |
| Accessory | Speaker mounting bracket (with washer) ×4 |

Note: Bolts and nuts for mounting the bracket to the ceiling are not included. Prepare them separately.

APPEARANCE



F-1000W/-1000WT (option)
or F-1300W/-1300WT (option)



*Adjust the speaker angle within the downward range of 0° (horizontal) to 45°. The speaker angle is adjustable in 7.5° steps.

Mounting example
(scale: 1/4)

UNIT:mm SCALE:1/2